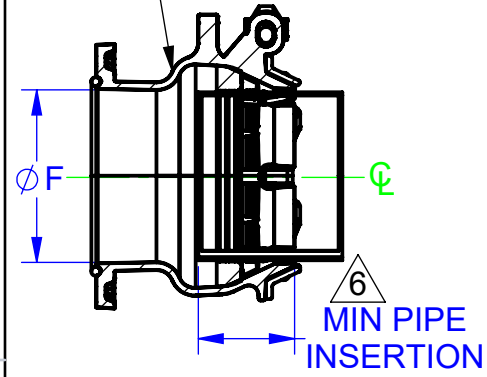


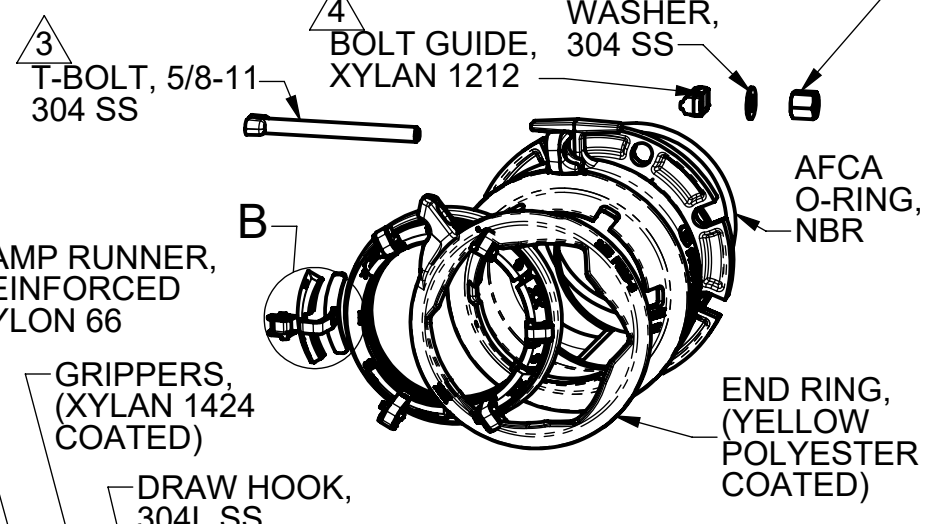
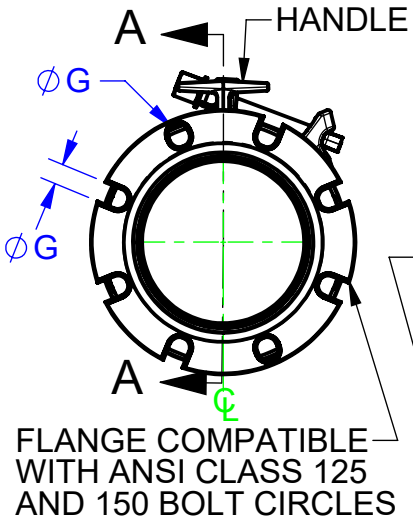
SIZE	PIPE OD RANGE	BODY OD	HEIGHT	LENGTH	FLANGE OD	FLANGE THICKNESS	FLANGE ID	FLANGE HOLE	MAX DEFLECTION (DEGREES)	APPX. WEIGHT (LBS)
		$\phi A$	B	C	$\phi D$	E	$\phi F$	$\phi G$		
4	4.50-4.90	8.1	10.2	8.4	9.0	0.75	5.19	0.75	4	29
6	6.60-7.00	10.4	12.3	8.5	11.0	0.75	7.19	0.88	4	40
8	8.60-9.10	13.4	15.0	10.1	13.5	0.75	9.29	0.88	4	57
10	10.75-11.20	15.5	17.3	10.4	16.0	0.75	11.54	1.00	4	82
12	12.75-13.30	17.5	19.9	10.9	19.0	0.81	13.69	1.00	4	105

REVISIONS			
REV.	DESCRIPTION	DATE	EDITOR
R2	A	DIMENSION UPDATED	7/27/21 CMB

BODY, NSF 61  
FUSION BONDED  
EPOXY



SECTION A-A



DETAIL B  
SCALE 1 : 4

NOTES:

1. ALL MATERIALS ASTM A536 GRADE 65-45-12 DUCTILE IRON UNLESS OTHERWISE SPECIFIED.
2. GASKET MATERIAL: NSF 61 SBR PER ASTM D2000 OR NSF 61 NBR AVAILABLE UPON REQUEST.
3. FASTENER MATERIAL: TYPE 304 STAINLESS STEEL, 316 AVAILABLE UPON REQUEST.
4. BOLT GUIDE COATED BLACK XYLAN 1212. E-COAT AVAILABLE UPON REQUEST.
5. 4-12 SIZES PRESSURE RATING IS 350 PSI.
6. REFER TO INSTALLATION INSTRUCTIONS FOR MINIMUM PIPE INSERTION

FOR CUSTOMER USE

RELEASED

<p>PROPRIETARY NOTICE</p> <p>THIS DRAWING CONTAINS CONFIDENTIAL PROPRIETARY INFORMATION AND IS THE PROPERTY OF ROMAC IND., INC. IT IS TO BE USED ONLY FOR THE PURPOSE FOR WHICH IT WAS SUBMITTED AND SHALL NOT HAVE ITS INFORMATION DISCLOSED OR REPRODUCED IN WHOLE OR IN PART FOR ANY PURPOSE WITHOUT PRIOR WRITTEN PERMISSION OF ROMAC IND., INC.</p>		<p>UNLESS OTHERWISE SPECIFIED</p> <ul style="list-style-type: none"> <li>• DIMENSIONS ARE IN INCHES</li> <li>• DRAWING NOT PERFECTLY TO SCALE</li> </ul>		<p>SIGNATURES</p> <p>DRAWN Caitlin Boone</p> <p>APPROVED James Protzeller</p>		<p>DATE</p> <p>07/27/2021</p> <p>7/27/2021</p>				<p>ROMAC INDUSTRIES INC.</p> <p>TITLE ALPHA FLANGE COUPLING ADAPTER, 4-12 INCH, STANDARD</p>			
<p>MODEL NAME: ALPHA, FLANGE COUPLING ADAPTER, ASSEMBLY, 4 INCH, STD MODEL CAD #: CAD-045789</p>		<p>CONFIGURATION NAME: Default</p>		<p>THIRD ANGLE PROJECTION</p>		<p>LEGACY DRAWING #: DRAWING FILE NAME: ALPHA, FLANGE COUPLING ADAPTER, 4-12 INCH, STANDARD</p>		<p>AUTHOR: Tyler Matthews</p>					